

Wire-In Photoelectric Controls

FL Series & FA Series



FL Series

Swivel Directional Control

The compact, all weather construction of the FL Series photocontrol provides the ultimate in application flexibility. Its small size and swivel head allow placement and positioning for mounting where space is at a premium. The 1/2" threaded nipple mounts easily in a 1/2" conduit knockout.

Application

The FL Series compact, directional, conduit-mounted controls are designed for perimeter and building security lighting, PAR lamps and decorative porch lighting. Ideal for use under awnings, porch roofs – wherever reflective lighting is a problem.

Specifications

Photocell:

Cadmium sulfide (CdS).

Switch Type:

SPST-NC (single-pole, single-throw, normally closed) bimetallic switch.

Housing:

Polycarbonate. (Gray)

Nipple:

1/2" – 14 thread; 5/8" long; fits 1/2" knockout.

Leads:

Color coded 15" standard.

Turn-On:

1 to 5 footcandles (fc).

Turn-Off:

3 to 15 footcandles (fc).

Time Delay:

30 seconds minimum.

Rated Life:

5,000 operations minimum at rated load.

Temperature Range:

- 40° to + 65°C
- 40° to + 150°F

Dimensions:

4.00"L; 1.5"W; 1.75"D



FA Series

Flush-Mount Controls

The FA Series wire-in flush-mount photocontrols provide superior performance for internal mounting requirements. All Series FA controls utilize a rugged, SPST bimetallic switch. Durable, polycarbonate housing with a clear UV-stabilized window ultrasonically welded in place to prevent moisture ingress.

Application

The FA Series are compact, flush-mounted, high temperature resistant controls designed for industrial, commercial, and decorative lighting fixtures. The versatility and reliability of these controls allow them to be used as replacement units in a wide range of outdoor lighting fixtures.

Specifications

Photocell:

Cadmium sulfide (CdS)

Switch Type:

SPST-NC (single-pole, single-throw, normally closed) bimetallic switch.

Housing:

UV-resistant polycarbonate. (Black)

Window:

Clear, UV-stabilized

Nipple:

3/8" – 18 thread; 3/4" long; fits 3/8" knockout; 11/16" opening.

Leads:

18" long, color coded. 105°C wire, 1/2" stripped.

Turn-On:

1 to 4 footcandles (fc).

Turn-Off:

3 to 12 footcandles (fc).

Time Delay:

30 seconds, minimum.

Rated Life:

5,000 operations minimum at rated load.

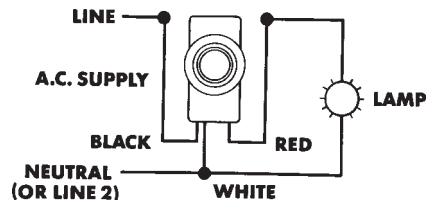
Temperature Range:

- 40° to +60°C
- 40° to +140°F

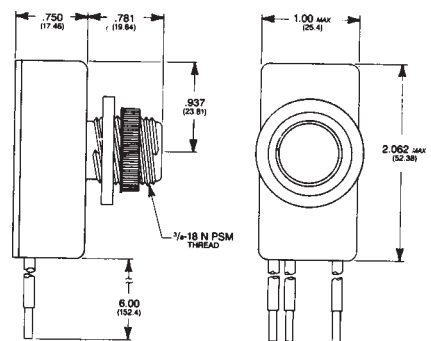
Dimensions:

2.062"L; 1.00"W; 1.53"D

FA Series Flush-Mount Wiring Diagram



FA Series Mechanical Diagram



FPFA Series Ordering Information

Model	Line Voltage	Load Rating	
		Tungsten	HID Ballast
FPFA-105	120	2000W	1000VA
FPFA-1068	208-277	2000W	1000VA
*FPB124	105-305	1000W	1800VA

*Not UL/CSA certified see website for specs.

FPFL Series Ordering Information

Model	Line Voltage	Load Rating	
		Tungsten	HID Ballast
FPFL115	120	2000W	1000VA

FL Series Wiring Diagram

